

## LED white projectors changing shades of white

### CODE: CHANGE BIANCO



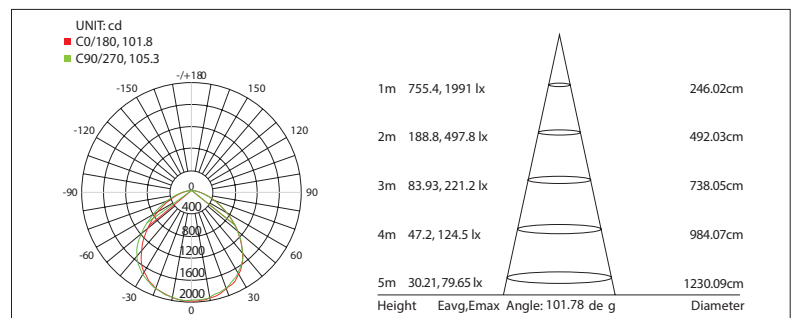
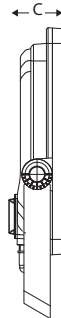
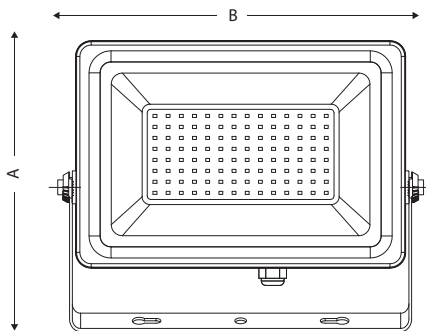
- Symmetrical optics
- Equipped with selector for color temperature change: 3,000 - 4,000 - 5,700 ° K
- Die-cast aluminum body, anti-scratch finish, white color, excellent corrosion resistance
- High efficiency reflector, maximizes light output
- Anti-glare tempered glass
- Wall fixing bracket, 360 ° adjustable
- Operating voltage: 220V - 260V - 50Hz
- Power supply compartment on board
- Color rendering: >80
- LED luminous efficiency: 110 lm / W
- Power factor: >0,9
- Led operating life: L80B10
- Average life: 40.000 hours
- Operating temperature: -25 ° C +45 ° C
- IP65, for outdoor use
- Shockproof IK08
- Driver with DOB technology

IP65 CRI 80

### Technical data

Article	Dimensions	Body color	Total consumption	Color	Luminous flux	Angle of diffusion	Weight
WXC20	180 x 166 x 46 mm	white	20W	3000-4000-5700°K	2.200 lm	120°	0,500 kg
WXC30	205 x 204 x 46 mm	white	30W	3000-4000-5700°K	3.300 lm	120°	0,700 kg

### Data sheets



Appliance for outdoor

