

Waterproof led cabinets

CODE: GIRKO GKT

- Base in polycarbonate
- Satin polycarbonate diffuser
- Rear compartment for electrical connection, with 4 knockout inputs for mounting of cable glands PG16 or connection tube-box Ø16mm
- Power supply: 220÷240V ~ 50/60Hz
- Colour rendering: >80
- Luminous efficiency: 85lm/W
- Power factor: >0,5
- Working temperature: -20 +40°C
- Beam angle: 100°
- Average life: 30.000 hours
- Insulation class: II
- Waterproof, for outdoor IP54
- Shockproof: IK10

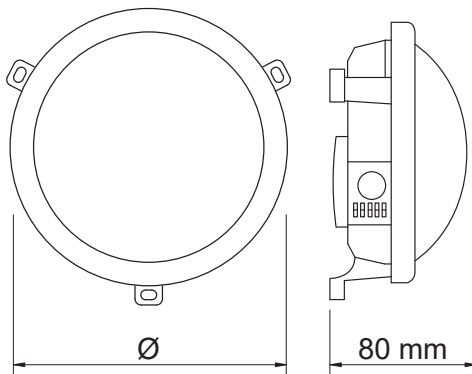


IP54 CRI 80

Technical data

| Article | Dimensions | Total consumption | Protection degree | Color | Luminous flux | Angle of diffusion |
|---------|----------------|-------------------|-------------------|-------------------|---------------|--------------------|
| GKT8.D | Ø 150,9x79,3mm | 8 W | IP54 | 3.000°K - 4.000°K | 700 lm | 100° |
| GKT12.D | Ø210x92 mm | 12 W | IP54 | 3.000°K - 4.000°K | 1200 lm | 100° |

Data sheets



Appliance for outdoor

