

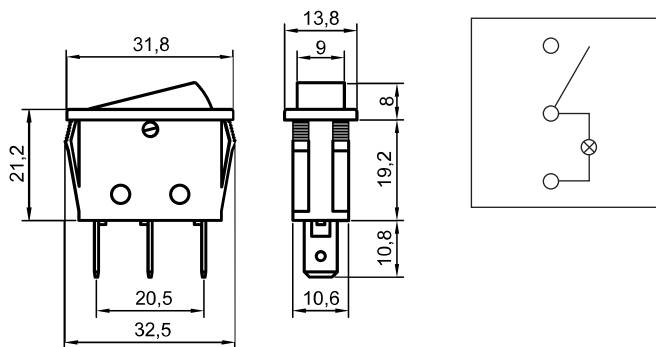
Electrical appliance switch

CODE: **8200.34.36.R**

Cristal red single pole switch with light indicator
in compliance with CEE 24 regulations for appliance in II Class
rated current 16 A 250 V; max temperature 125° C
silver contacts
black thermoplastic body
thermoplastic material rocker
snap in fixing on panels 0,7 - 2,5 mm thick
male fast-on (solder terminals on demand)



Data sheets



Built-in appliance

